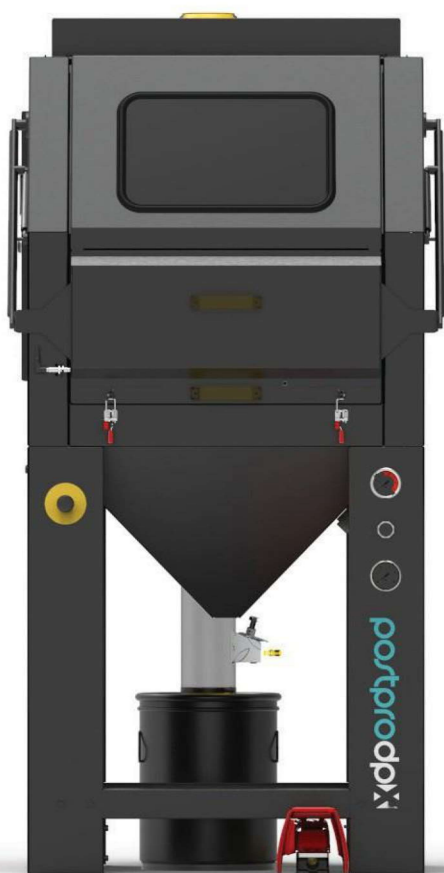


amt
postpro®



postprodpx

SPECIFICATION SHEET

SUBJECT TO CHANGE

MARCH 2024 / V2.0

Introducing the most compact automated depowdering system in the PostPro DP range. The perfect companion to the PostPro SFX to complete your post processing workflow.

HMI

The PostPro DPX incorporates a touch screen HMI for easy parameter adjustment.

SPACIOUS BASKET

A large 10 Litre (Ø450 x 210 mm) basket is equipped with a soft plastic liner and mixers to enable high volume part throughput.

MANUAL BLASTING

Parts can be manually blasted by hand using the in-built gloves behind the interlocked gloves cover.

COMPACT SIZE

Small footprint to operate in even the most compact of workshops and laboratories.

IONIZATION UNIT

The PostPro DPX is equipped with an ionization unit to reduce static build-up during the process, leaving your parts dust-free and without the requirement for additional cleaning steps.

POWERFUL FILTER

Equipped with a powerful filter for dust separation and to ensure a clear view in the blasting area.

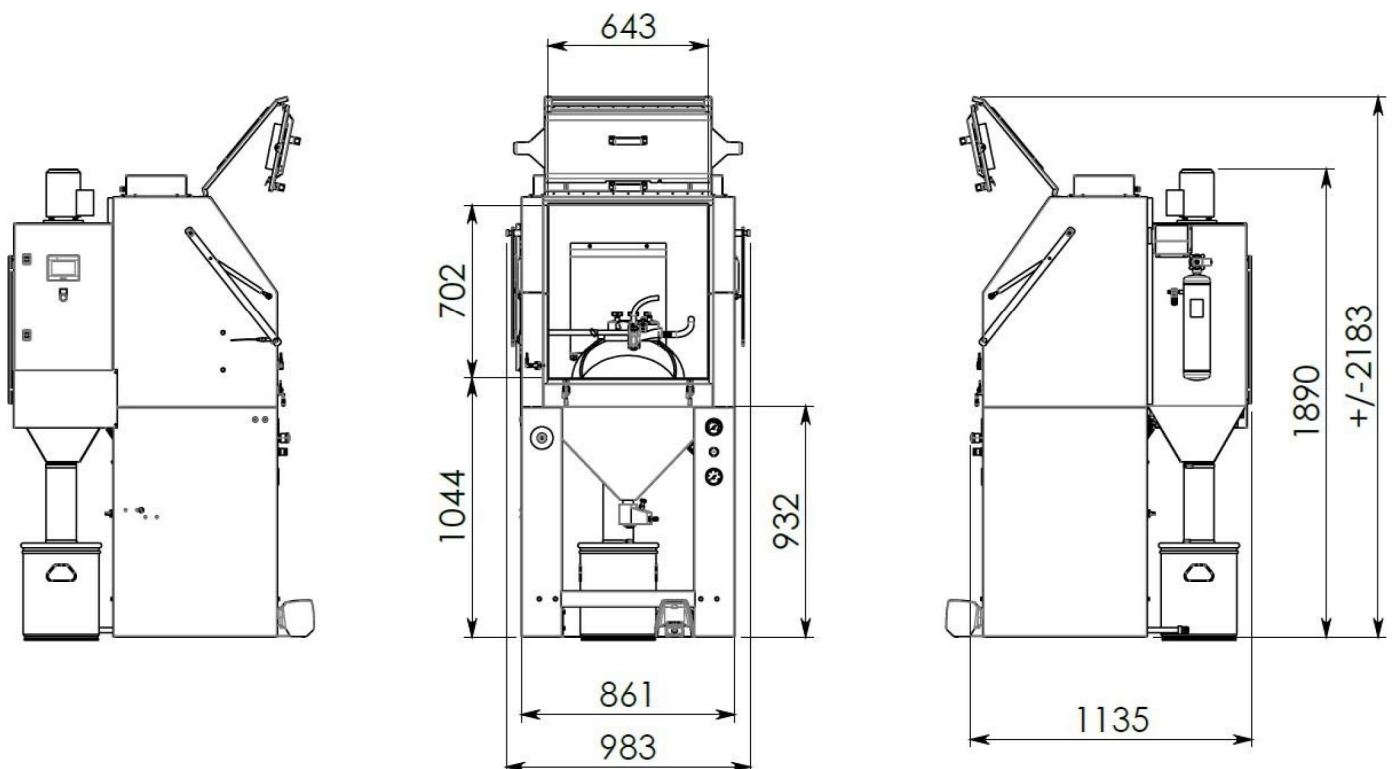
ATEX CERTIFIED

Class II 3/-D T125°C ATEX certification.



DIMENSIONS	EU	US
External Dimensions (WDH)	985 x 1135 x 1890 mm	39 x 44.5 x 74.5 in
Weight	370 kg	815 lbs
CAPACITY		
Blast Room (WDH)	850 x 640 x 845 mm	33.5 x 25.5 x 33.5 in
Basket Size	Ø450 x 210 mm	Ø17.5 x 82.5 in
Basket Volume	10 litres	
Basket Loading Weight	10 kg	22 lbs
Door Opening	645 x 705 mm	25 x 27.5 in
Blast Gun	Single with Ø6 mm nozzle	
Filter Cartridge	Single with area of 4 m ²	
POWER & PNEUMATICS		
Electrical Configuration	230V / Single Phase / 50 Hz	
Total Power Consumption	0.85 kW	
Air Consumption	700l/min at 4 bar	
ATEX Classification	Class II 3/-D T125°C	

DIMENSIONS



amt
postpro[®]

CONTACT US FOR MORE
INFORMATION

Kaut-Bullinger GmbH & Co. KG
www.printingsolutionpartner.de
3D@kautbullinger.de
Tel: +49 (0)89-666 99 373

